

# INTEGRATED IT PLANNING - ALFABET INTEROPERABILITY

ALFABET CUSTOMER ROUNDTABLE NORDIC 2018-11-13



# INTEGRATED IT PLANNING - ALFABET INTEROPERABILITY

## ALFABET CUSTOMER ROUNDTABLE NORDIC

### AGENDA

- THE SANDVIK GROUP
  - FAST TRACK AND HOW WE GOVERN IT
- POSITIONING SANDVIKS ENTERPRISE REPOSITORIES
  - WHAT AND HOW WE USE FOR WHAT
- WHERE ARE WE NOW
  - SOME NUMBERS AND DEVELOPMENTS
- QUESTIONS
  - AND HOPEFULLY SOME ANSWERS
- DEMO
  - VIEWING THE SOLUTION



**STEFAN DAHLSTRÖM**  
Head of Architecture and  
Portfolio Management  
Sandvik Group





# THE SANDVIK GROUP



**43,000**  
EMPLOYEES

---

**91** BILLION SEK  
INVOICED  
SALES

---

**50**  
R&D CENTERS  
GLOBALLY

SALES IN OVER

**150**

COUNTRIES  
AROUND THE GLOBE

---

**3.5** BILLION SEK  
ANNUAL R&D  
INVESTMENT

---

**7,300**  
ACTIVE PATENTS AND  
OTHER IP\* RIGHTS



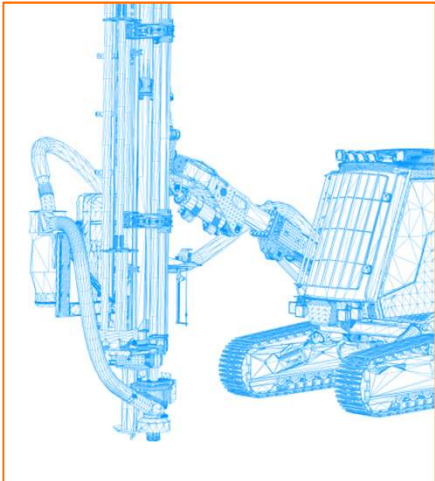
Figures refer to Group total 2017

# WORLD-LEADING POSITIONS

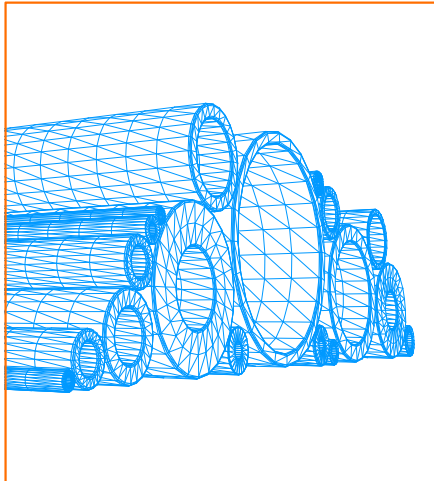
IN THE FOLLOWING AREAS



METAL CUTTING



MINING AND ROCK  
TECHNOLOGY



ADVANCED MATERIAL  
KNOWLEDGE



# BUSINESS AREAS – OUR PORTFOLIO

## SANDVIK MACHINING SOLUTIONS

39%

55%



## SANDVIK MINING AND ROCK TECHNOLOGY

40%

37%

## SANDVIK MATERIALS TECHNOLOGY

15%

5%

Share of revenues 2017

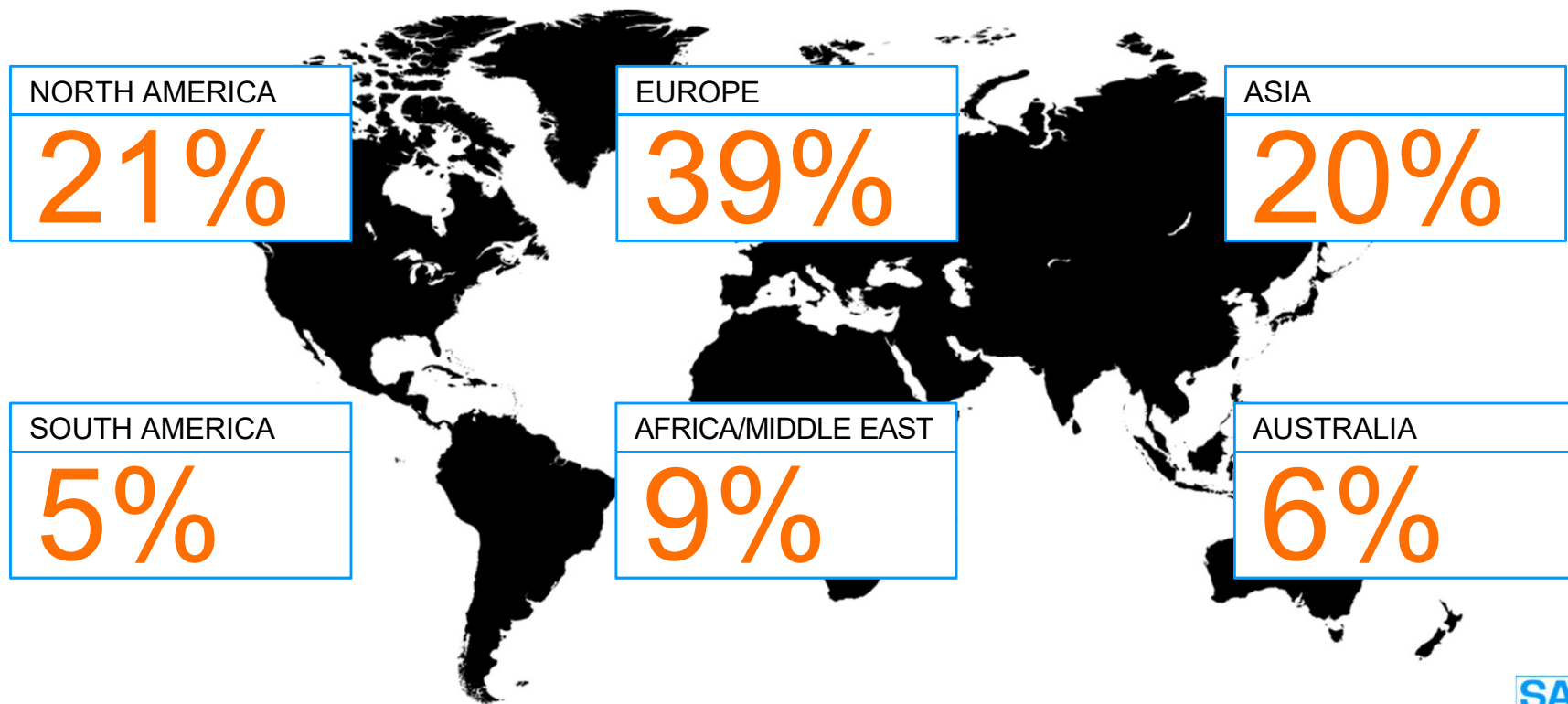
Share of adjusted operating profit 2017

Other operations (non-strategic assets) contributed by 6% to revenues and by 3% to adjusted operating profit



# REVENUES BY MARKET AREA

SHARE OF GROUP TOTAL 2017



Figures refer to Group total 2017 excl. Sandvik Mining Systems



# THE OPERATIONAL STRUCTURE OF SANDVIK

## SANDVIK MACHINING SOLUTIONS

6 DIVISIONS



## SANDVIK MINING AND ROCK TECHNOLOGY

8 DIVISIONS



## SANDVIK MATERIALS TECHNOLOGY

4 DIVISIONS



## COMMON GLOBAL FUNCTIONS

7 FUNCTIONS





# THE WAY WE HAVE ORGANIZED TO DELIVER IT

## SANDVIK MACHINING SOLUTIONS

Coromant IT	SECO Demand & IT
Walter IT	Dormer Pramet IT

## SANDVIK MINING AND ROCK TECHNOLOGY

Sandvik Mining and Rock Technology IT
---------------------------------------



## SANDVIK MATERIALS TECHNOLOGY

Tube IT	Kanthal IT
---------	------------

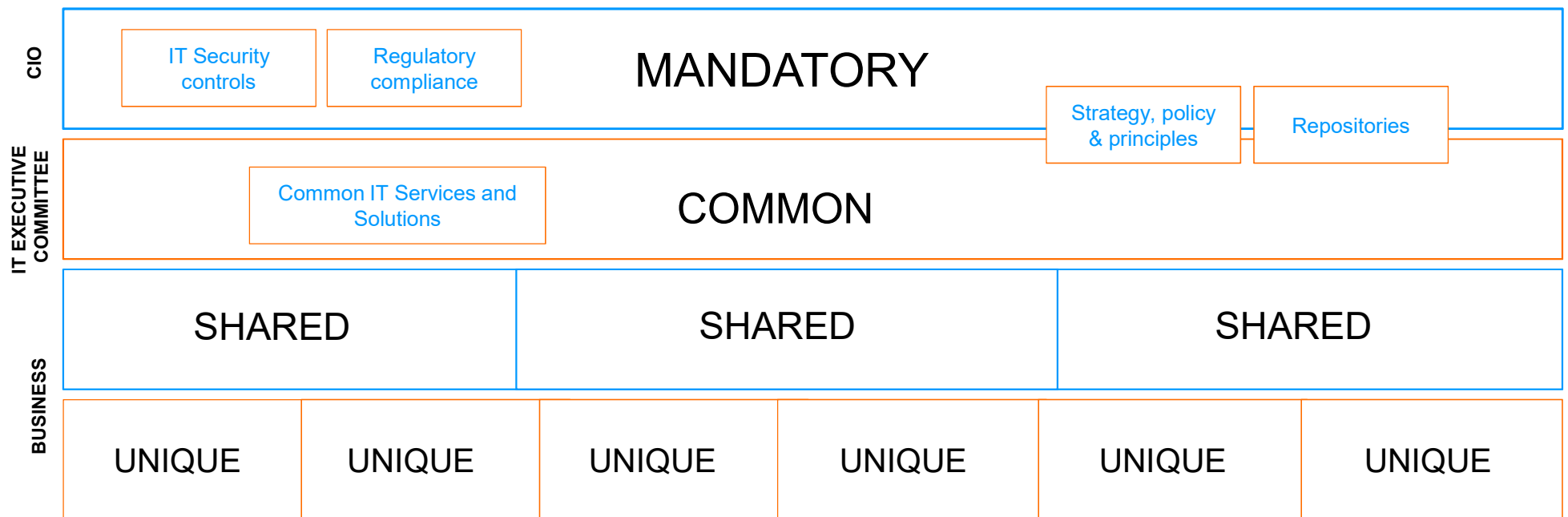
## COMMON GLOBAL FUNCTIONS

Sandvik Infrastructure and Technology Services	CIO Office
	Group Functions IT



# OPERATING MODEL

## AND THE DIFFERENT LEVELS OF GOVERNANCE



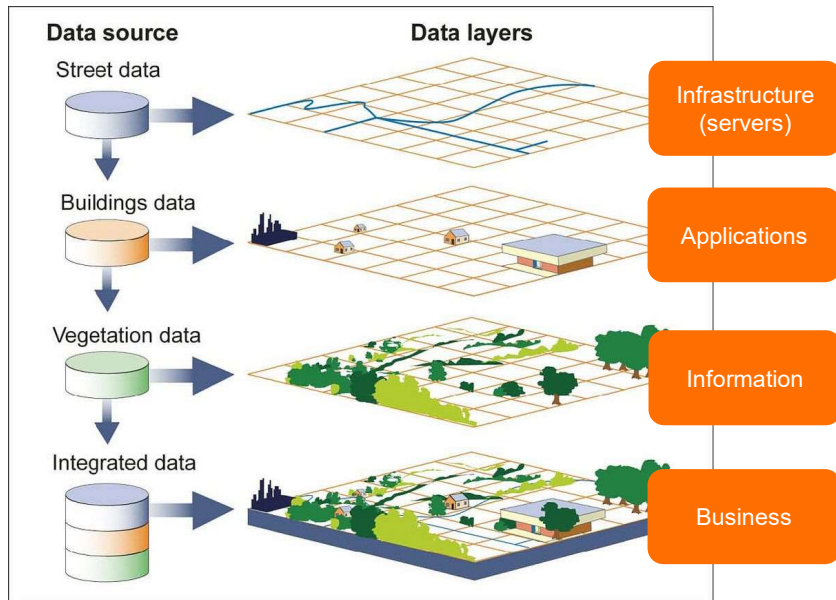


# ENTERPRISE REPOSITORIES POSITIONING

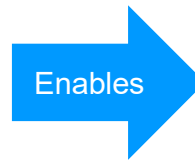


# WHERE IN THE BIG PICTURE DOES IT FIT IN

## THINK ABOUT – GEOGRAPHICAL INFORMATION SYSTEM



what you need to have  
(ARIS, Alfabet and CMDB)

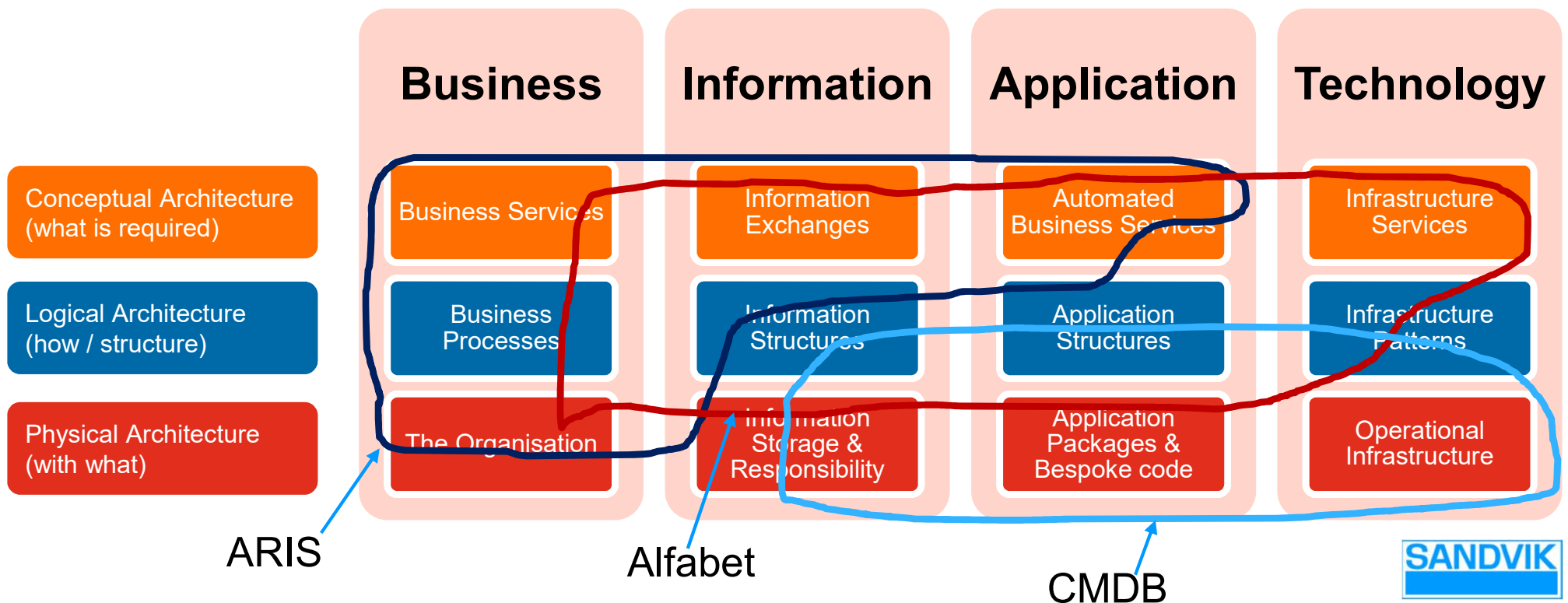


to do what you want



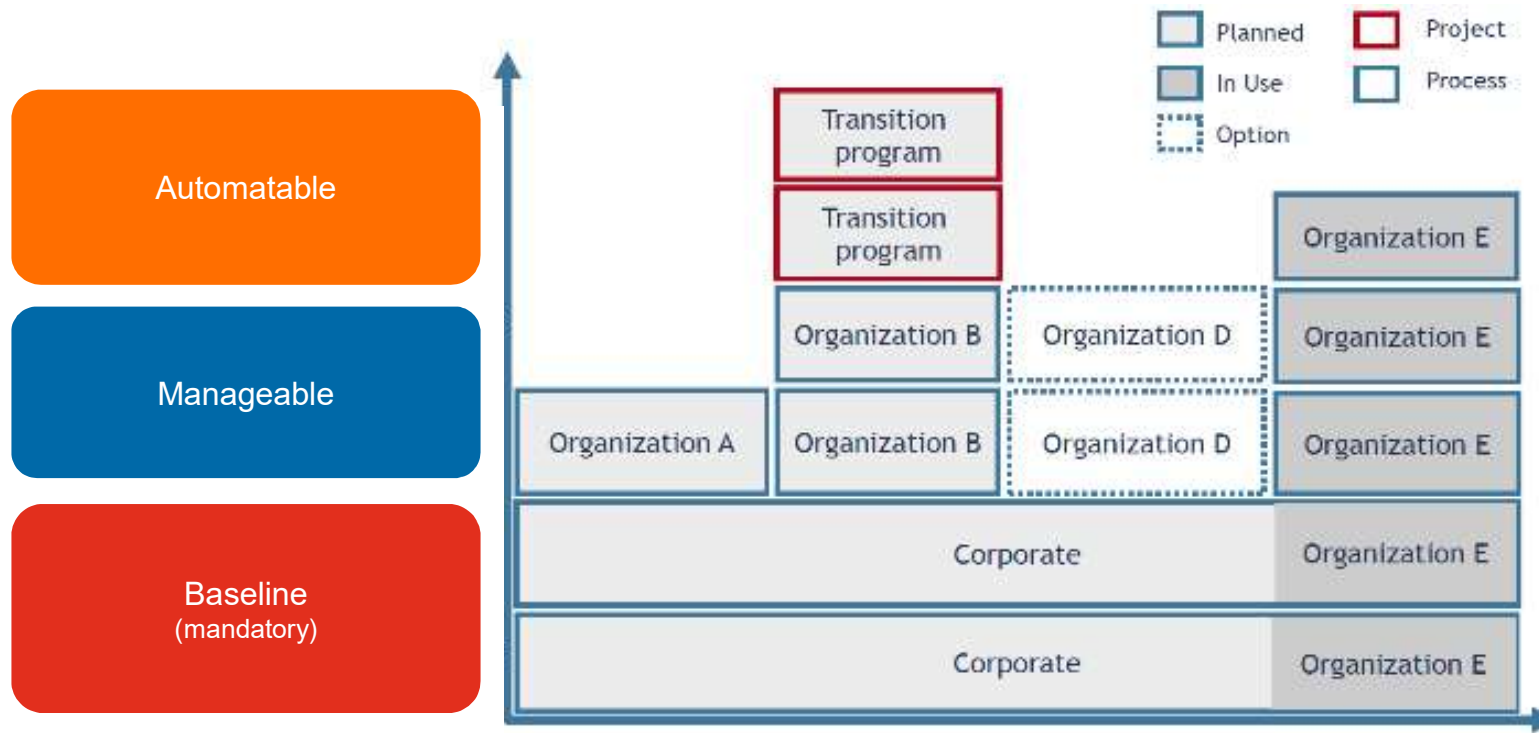
# ENTERPRISE REPOSITORY POSITIONING

## WHAT IS SUPPORTED WITH WHAT



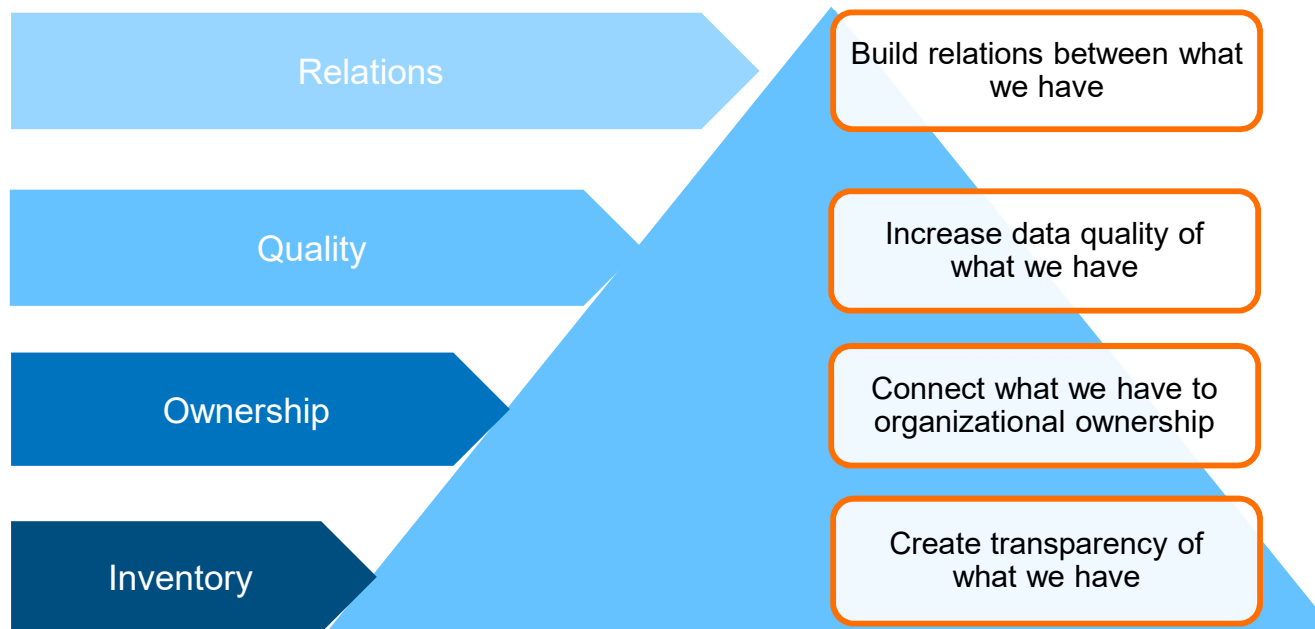
# ENTERPRISE REPOSITORIES POSITIONING

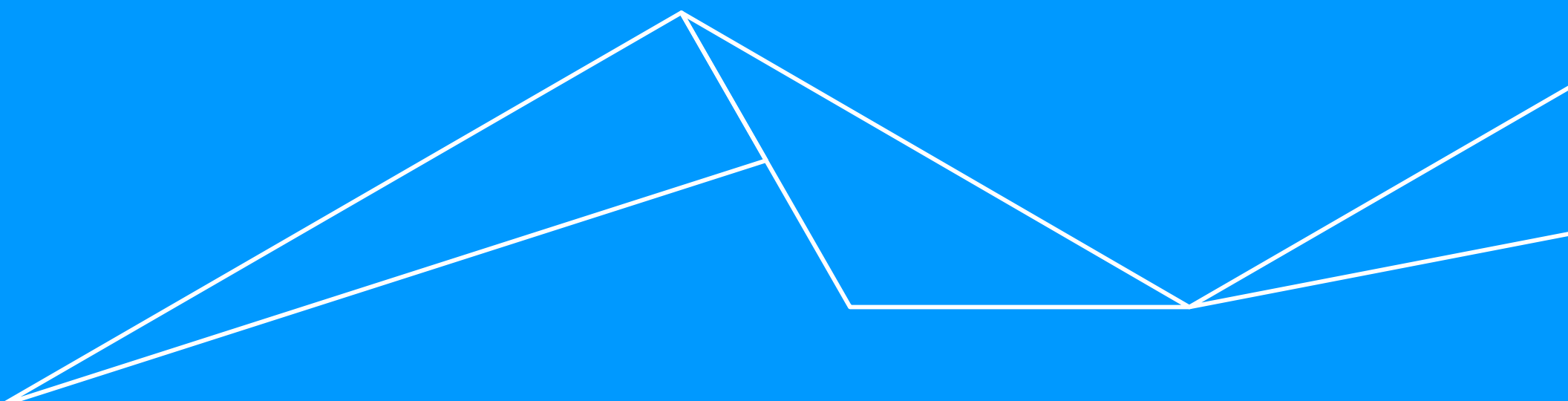
## OUR APPROACH – THE TETRIS MODEL



# ENTERPRISE REPOSITORIES POSITIONING

THE ACTUAL WORK WE DO WHEN ALL THE STRUCTURE WORK IS DONE





# WHERE ARE WE NOW





# ENTERPRISE REPOSITORY STATUS

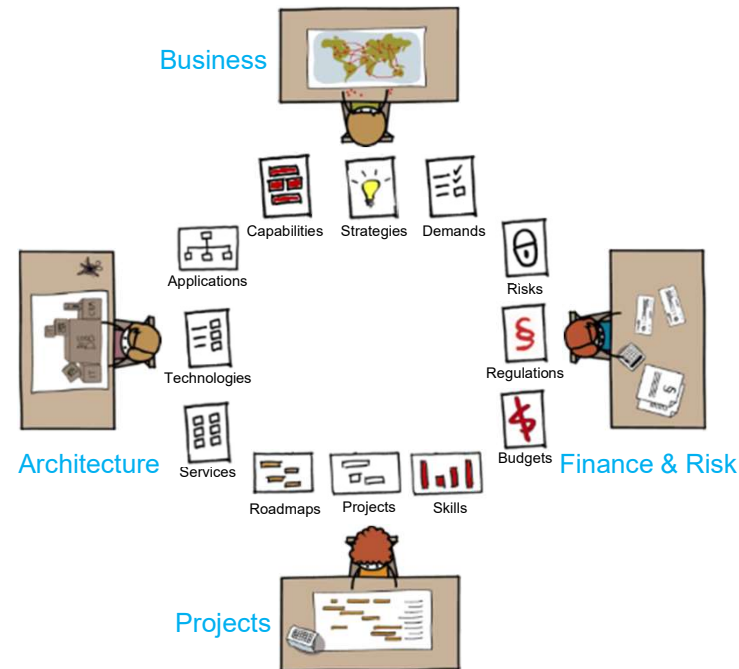
## INTEGRATED REPOSITORY SCENARIO

### Create application portfolio

- ✓ Transparency across applications, devices and technologies

### Link to existing program portfolio

- ✓ Understand ongoing transformation through running and future projects



### Map business context to IT portfolios

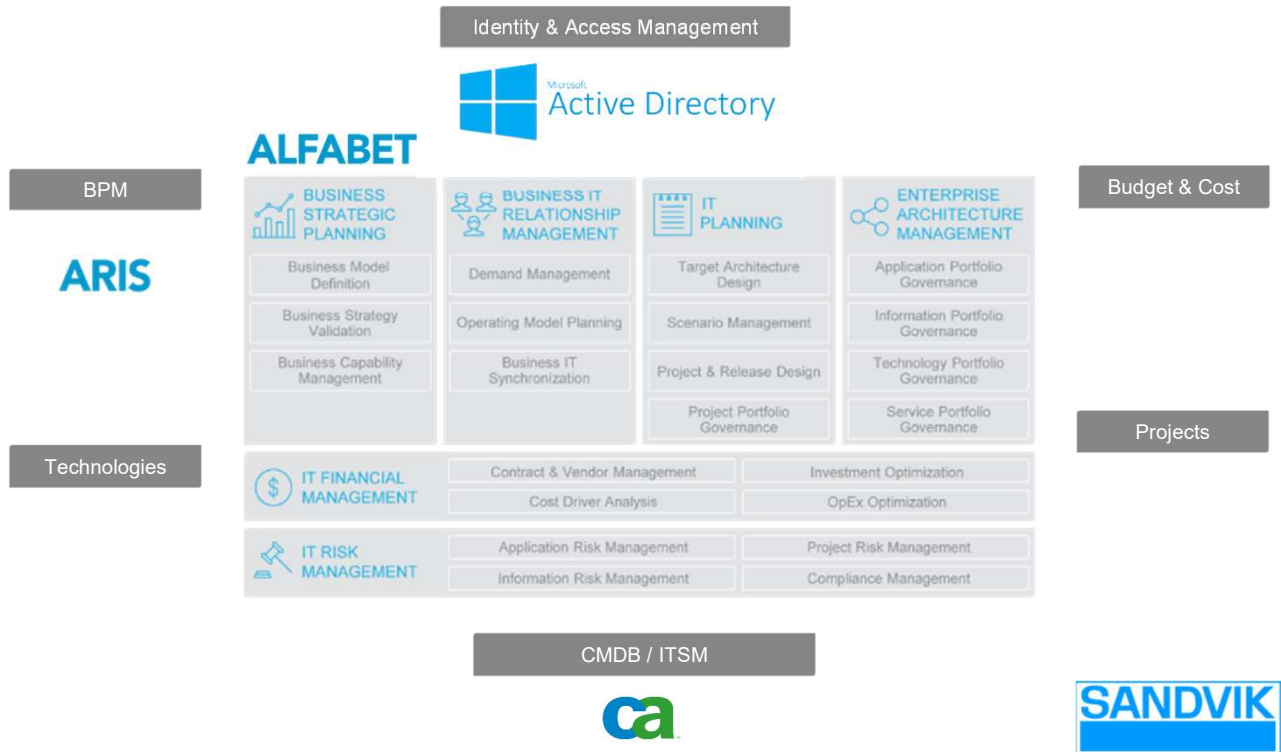
- ✓ Understand how existing IT portfolios support the business
- ✓ Identify gaps

### Integrate finance & risk perspectives

- ✓ Add risk, regulatory and financial view to the integrated IT portfolio

# OVERVIEW & INTEGRATION POINTS

## INTEGRATED REPOSITORY OUR APPROACH



# ENTERPRISE REPOSITORY STATUS

## ARIS - ENTERPRISE MODELING TOOL

- All Business Areas are utilizing ARIS
- ARIS Connect installed
- Increased usage cross Sandvik Group picking up



# ENTERPRISE REPOSITORY STATUS

## ALFABET - IT PORTFOLIO TOOL

- 2 045 active applications
- 846 technical components
- 220 unique users per month
- 298 Business Capabilities
- 1 012 integrations



# ENTERPRISE REPOSITORY STATUS

## CMDB - ASSET MANAGEMENT TOOL

- Server Assets
  - Mainframe
  - System p
  - Windows Server
  - Unix







**KEEP  
CALM  
IT IS  
DEMO  
TIME**

